

IR Camera for Demanding Environment



High Resolution Weatherproof IR Camera

SCO-2080RH

The SCO-2080RH is a high resolution IR LED camera that can capture images within 165 feet in no lighting conditions using built-in IR LED lamps. The SCO-2080RH features true Day/Night operation with ICR and SSNR III to eliminate image noise in low light. It also offers remote control via RS-485 or coaxial cable enabling you to reach the camera's OSD. It comes with a built-in fan & heater for excellent performance in extreme weather environments (-58°F ~ 122°F).

- High resolution of 600TV lines (Color), 700TV lines (B/W)
- Min. illumination 0Lux (IR LED On), IR distance 165 ft
- Built-in V/F lens (2.8 ~ 10mm)
- True Day & Night (ICR), MD, SSNR III
- Built-in fan & heater
- IP66, Coax control support

High Resolution Weatherproof IR Camera

SCO-2080RH

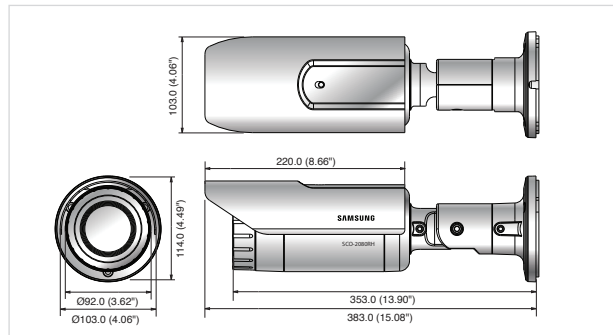


Specifications

	SCO-2080RHN	SCO-2080RHP
VIDEO		
Imaging Device	1/3" Super HAD CCDII	
Total Pixels	811(H) x 508(V)	795(H) x 596(V)
Effective Pixels	768(H) x 494(V)	752(H) x 582(V)
Scanning System	2 : 1 Interlace	
Synchronization	Internal / Line Lock	Internal / Line Lock
Frequency	H : 15.734KHz / V : 59.94Hz	H : 15.625KHz / V : 50Hz
Horizontal Resolution	Color : 600 TV lines, B/W : 700 TV lines	
Min. Illumination	Color : 0.15Lux @ F1.2 (50IRE), 0.0003 Lux (Sens-up, 512x), B/W : 0 LUX (IR LED On)	
S / N Ratio	52dB (AGC off, Weight on)	
Video Output	CVBS : 1.0 Vp-p / 75Ω composite	
LENS TYPE		
Focal Length (Zoom Ratio)	2.8 ~ 10mm (V/F, 3.6x)	
Max. Aperture Ratio	1:1.2 (Wide) ~ 2.8 (Tele)	
Angular Field of View	H : 94.4°(Wide) ~ 28°(Tele) / V : 69.2°(Wide) ~ 21°(Tele)	
Min. Object Distance	0.2M	
Focus Control	Manual	
Lens Type	DC Auto Iris	
OPERATIONAL		
On Screen Display	English, Japanese, Spanish, French, Portuguese, Taiwanese, Korean	English, French, German, Spanish, Italian, Chinese, Russian, Polish, Czech, Romanian, Serbian, Swedish, Danish, Turkish, Portuguese
Camera Title	Off / On (Displayed 15 characters)	
Day & Night	Auto (ICR) / Color / B/W	
Backlight Compensation	BLC / HLC / Off	
Contrast Enhancement	SSDR (Off / On)	
Digital Noise Reduction	SSNRIII (Off / On)	
Digital Image Stabilization	Off / On	
Motion Detection	Off / On (8 programmable zones)	
Privacy Masking	Off / On (12 programmable zones)	
Sens-up (Frame Integration)	2x ~ 512x	
Gain Control	Off / Low / High	
White Balance	ATW / Outdoor / Indoor / Manual / AWC (1,700K° ~ 11,000K°)	
Electronic Shutter Speed	1/60 ~ 1/120,000 sec	1/50 ~ 1/120,000 sec
Digital Zoom	Off / On (1x ~ 16x)	Off / On (1x ~ 16x)
Reverse	H-Rev (Off/On), V-Rev (Off/On)	
Communication	Coaxial Control (SPC-300 Compatible), RS-485, SRD-XXXDC coaxial DVRs	
Protocol	Coax : Pelco-C (Coaxitron), RS-485 : Samsung-T, Samsung-E, Pelco-D, Pelco-P, Panasonic, Bosch, Honeywell, Vicon	
ENVIRONMENTAL		
Operating Temperature / Humidity	-50°C ~ +50°C (-58°F ~ +122°F) / Less than 90% RH	
Ingress Protection	IP66	
ELECTRICAL		
Input Voltage/Current	Dual (24VAC ±10% & 12VDC±10%)	
Power Consumption	Max. 15W (heater on), Max. 7.2W (heater off)	
MECHANICAL		
Color / Material	Dark Gray / ALDC	
Dimension (WxHxD)	Ø114.0 x 383.0 (Ø4.49" x 15.08") (Bracket angle 180°)	
Weight	1.7kg (2.36lb)	

Dimensions

Unit : mm (inch)



SAMSUNG TECHWIN AMERICA Inc.
 100 Challenger Road, Suite 700, Ridgefield Park, NJ 07660, UNITED STATES
 Tol Free : 1-877-213-1222 Fax : 1-201-373-0124
 www.samsungsecurityusa.com



The Eco mark represents Samsung Techwin's will to create environment-friendly products, and indicates that the product satisfies the EU RoHS Directive.

Design and specifications are subject to change without notice.

■ DISTRIBUTED BY

