



iPOLiS

# See more details through 43x zoom networking



43x Network PTZ Dome Camera

## SNP-3430H

The SNP-3430H network PTZ camera is fitted with a superb 43x zoom that is ideal for detailed monitoring, while the H.264/MPEG-4/MJPEG multi codec provides flexibility depending on your network environment. In addition, these cameras support multi-streaming technologies, transferring real-time high resolution images 30(25) fps at 4CIF resolution. Furthermore, the SNP-3430H provides a wide selection of mounting accessories such as wall, ceiling and corner brackets for the user's convenience.

- Max. 30(25)fps at 4CIF resolution
- 3.2 ~ 138.5mm (43x) optical zoom, 16x digital zoom
- H.264 / MPEG-4 / MJPEG multiple codec
- PoE Plus, SD memory, IP66, bi-directional audio support

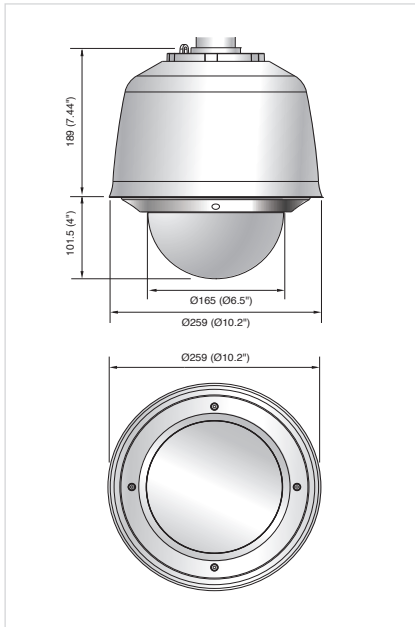
# 43x Network PTZ Dome Camera

# SNP-3430H



## Dimensions

Unit : mm (inch)



## Accessories (Optional)



The Eco mark represents Samsung Techwin's will to create environment-friendly products, and indicates that the product satisfies the EU RoHS Directive.

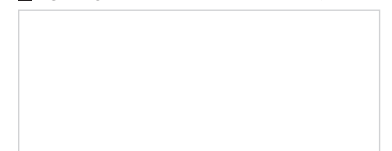
## Specifications



|                                  | SNP-3430HN   | SNP-3430HP                              |
|----------------------------------|--|---|
| <b>VIDEO</b>                     |  |   |
| Imaging Device                   | 1/4" Ex-view HAD PS CCD  |   |
| Total Pixels                     | 811(H) x 508(V)  | 795(H) x 596(V)                         |
| Effective Pixels                 | 768(H) x 494(V)  | 752(H) x 582(V)                         |
| Scanning System                  | Progressive (VPS on) (If WDR on, Interlaced scan)  |   |
| Synchronization                  | Internal only  |   |
| Frequency                        | H : 15.734KHz / V : 59.94Hz  | H : 15.625KHz / V : 50Hz                |
| Horizontal Resolution            | Color : 600TV lines  |   |
| Min. Illumination                | Color : 0.7Lux (F1.6, 50IRE), 0.001Lux (Sens-up, 512x), B/W : 0.07Lux (F1.6, 50IRE), 0.0001Lux (Sens-up, 512x)                             |   |
| S / N Ratio                      | 52dB   |   |
| Video Output                     | CVBS : 1.0 Vp-p / 75Ω composite  |   |
| <b>LENS</b>                      |  |   |
| Focal Length (Zoom Ratio)        | 3.2 ~ 138.5mm (43x)  |   |
| Max. Aperture Ratio              | F1.6(Wide) / F3.7(Tele)  |   |
| Angular Field of View            | H : 61.2°(Wide) ~ 1.47°(Tele) / V : 47.2°(Wide) ~ 1.1°(Tele)   |   |
| Min. Object Distance             | 1m (3.28ft)  |   |
| Focus Control                    | AF / One-shot AF / Manual  |   |
| Zoom Movement Speed              | Max. 3.2sec (Wide → Tele)  |   |
| Lens Type                        | DC auto iris   |   |
| Mount Type                       | Board-in type  |   |
| <b>PAN / TILT / ROTATE</b>       |  |   |
| Pan Range                        | 360° Endless   |   |
| Pan Speed                        | Preset : 360°/sec, Manual : 0.05°/sec ~ 200°/sec   |   |
| Tilt Range                       | 180° (0° ~ 180°)   |   |
| Tilt Speed                       | Preset : 360°/sec, Manual : 0.05°/sec ~ 200°/sec   |   |
| Preset                           | 255ea  |   |
| <b>OPERATIONAL</b>               |  |   |
| On Screen Display                | English, Web OSD : English, French, German, Spanish, Italian, Chinese, Korean, Japanese, Russian, Swedish, Danish, Portuguese              |   |
| Camera Title                     | Off / On (Displayed up to 32 characters)   |   |
| Day & Night                      | Auto (ICR) / Color / B/W   |   |
| Backlight Compensation           | Off / BLC  |   |
| Wide Dynamic Range               | 128x   |   |
| Contrast Enhancement             | XDR (eXtended Dynamic Range) (Off / Low / Medium / High)   |   |
| Digital Noise Reduction          | Motion adaptive 2D+3D noise filter (Off / Low / Medium / High)   |   |
| Digital Image Stabilization      | Off / On   |   |
| Motion Detection                 | Yes  |   |
| Privacy Masking                  | Off / On (12 Polygonal programmable zones)   |   |
| Sens-up (Frame Integration)      | Off / Auto (2x ~ 512x)   |   |
| Gain Control                     | Off / Low / Medium / High / Manual   |   |
| White Balance                    | ATW (In) / ATW (Out) / AWC / Manual  |   |
| Electronic Shutter Speed         | Off / A.FLK / Manual (1/120 ~ 1/10Ksec)  | Off / A.FLK / Manual (1/100 ~ 1/10Ksec) |
| Digital Zoom                     | 16x  |   |
| Flip / Mirror                    | Off / On   |   |
| VPS                              | Off / On   |   |
| Intelligent Video Analytics      | Moved / Fixed  |   |
| PIP                              | Off / On   |   |
| Schedule                         | Day / Time schedule  |   |
| Alarm I/O                        | Input 8ea / Output 4ea (Relay)   |   |
| Remote Control Interface         | RS-485   |   |
| RS-485 Protocol                  | Samsung-E, Samsung-T, Pelco-D, Pelco-P, Panasonic, GE(Kalatel), AD, Vicon, Honeywell(DK6), Bosch(Philips), Honeywell(VCLTP)                |   |
| <b>NETWORK</b>                   |  |   |
| Ethernet                         | RJ-45 (10/100BASE-T)   |   |
| Video Compression Format         | H.264, MPEG-4, MJPEG   |   |
| Resolution                       | 704 x 480, 640 x 480, 352 x 240  | 704 x 576, 640 x 480, 352 x 288         |
| Max. Framerate                   | 30fps  | 25fps                                   |
| Video Quality Adjustment         | H.264 / MPEG-4 : Compression level, Target bitrate level control, MJPEG : Quality level control  |   |
| Bitrate Control Method           | H.264 / MPEG-4 : CBR or VBR, MJPEG : VBR   |   |
| Streaming Capability             | Multiple streaming (Up to 10 profiles)   |   |
| Audio I/O                        | Line in / Line out   |   |
| Audio Compression Format         | G.711 u-law  |   |
| Audio Communication              | 2-Way  |   |
| IP                               | IPv4, IPv6   |   |
| Protocol                         | TCP/IP, UDP/IP, RTP(UDP), RTP(TCP), RTSP, NTP, HTTP, HTTPS, SSL, DHCP, PPPoE   |   |
| Security                         | FTP, SMTP, ICMP, IGMP, SNMPv1/v2c/v3(MIB-2), ARP, DNS, DDNS  |   |
| Streaming Method                 | Unicast / Multicast  |   |
| Max. User Access                 | 10 users at unicast mode   |   |
| Memory Slot                      | SD/SDHC memory slot  |   |
| ONVIF Conformance                | Yes  |   |
| Web Viewer                       | Supported OS : Windows XP / VISTA / 7, MAC OS<br>Supported Browser : Internet Explorer 6.0 or Higher, Firefox, Google Chrome, Apple Safari |   |
| Central Management Software      | NET-i viewer   |   |
| <b>ENVIRONMENTAL</b>             |  |   |
| Operating Temperature / Humidity | -50°C ~ +50°C (-58°F ~ +122°F) / 20% ~ 80% RH  |   |
| Ingress Protection               | IP66 (Waterproof)  |   |
| <b>ELECTRICAL</b>                |  |   |
| Input Voltage / Current          | 24V AC, PoE+ / 2.5A  |   |
| Power Consumption                | Max. 20W (Heater Off), Max. 50W (Heater On), PoE+ 24W  |   |
| <b>MECHANICAL</b>                |  |   |
| Color / Material                 | Ivory / Aluminum (Vandal resistance) / Plastic sun-shield  |   |
| Dimensions (WxH)                 | Ø259 x 290.5 mm (Ø10.2" x 11.44")  |   |
| Weight                           | 4.5kg (9.92 lb)  |   |

Design and specifications are subject to change without notice.

■ DISTRIBUTED BY



I.E-1102



### SAMSUNG TECHWIN CO., LTD.

701, Sampyeong-dong, Bundang-gu, Seongnam-si, Gyeonggi-do Korea 463-400  
Tel : +82-70-7147-8741~8749, 8752~8760 Fax : +82-31-8018-3745  
www.samsungsecurity.com www.samsungcctv.com

### SAMSUNG TECHWIN AMERICA INC.

1480 Charles Willard St, Carson, CA 90746, UNITED STATES  
Tel Free : +1-877-213-1222 Fax : +1-310-632-2195  
www.samsungcctvusa.com

### SAMSUNG TECHWIN EUROPE LTD.

Samsung House, 1000 Hillwood Drive, Hillwood Business Park  
Chertsey, Surrey, UNITED KINGDOM KT16 0PS  
Tel : +44-1932-45-5300 Fax : +44-1932-45-5325

### TIANJIN SAMSUNG TECHWIN OPTO-ELECTRONICS CO., LTD.

No.11 Wei 6 Street, Micro-Electronic Industrial Park  
Jingang Road, Tianjin, P.R. CHINA 300385  
Tel : +86-22-23887788 Fax : +86-22-23887788