

User-friendly Professional LCD Touch Keyboard



5" TFT Touch LCD System Control Keyboard

SPC-6000

The SPC-6000 is able to control up to 255 individual PTZ domes, DVRs and matrix switchers. It can be used in conjunction with up to 16 additional SPC-6000 units providing flexible expansion up to very large systems with user-friendly centralized control. The built-in 5" color LCD touch panel provides an easy way to select camera locations and navigate control features such as video playback and preset positions, making it easy to manage a complete CCTV system. The 3D joystick and jog shuttle can be detached and placed on either the left or the right hand side of the controller making it suitable for left or right handed operation and it's ergonomic design makes it very comfortable for use over sustained periods.

- Built-in 5" color TFT touch LCD screen
- Centralized control - up to 255 units with a single controller
- Flexible expansion to larger systems - up to 16 controllers
- 3D joystick to control PTZ functions
- Detachable joystick/jog shuttle for left/right handed use
- Multi-protocol support

5" TFT Touch LCD System Control Keyboard

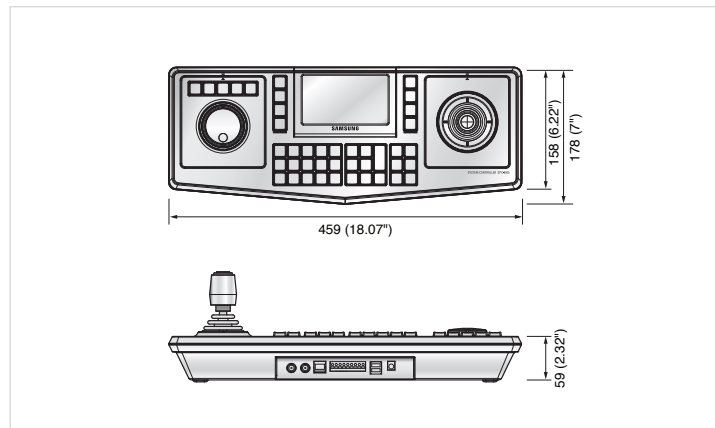
SPC-6000



Specifications

		SPC-6000
COMMUNICATION		
Interface		RS-485/422 (Operating distance 1km), TTL (Matrix)
Data Port		8-pin RJ-45 connector (Female) (RS-485 serial port) BNC (Video input, Loop through), USB 2.0 (F/W updatable)
Baud Rate		2,400 ~ 38,400bps
Protocol	PTZ	Samsung-T/E, Pelco-D/P, Panasonic, Vicon, AD, Honeywell, ELMO, Bosch, GE
	DVR	SRD, SVR
	Matrix	SMX-25632
	Receiver	Samsung-T
OPERATIONAL		
LCD Display		5" TFT touch LCD
Joystick		3 Axis twist zoom
Jog Shuttle		DVR playback control
On Screen Display		English, French, German, Spanish, Italian, Chinese, Russian, Polish, Czech, Romanian, Serbian, Swedish, Danish, Turkish, Portuguese
ENVIRONMENTAL		
Operating Temperature		0°C ~ 40°C
Operating Humidity		10 ~ 70% (Non-condensing)
ELECTRICAL		
Input Voltage / Current		12V DC / 4A
Power Consumption		Max. 4W
MECHANICAL		
Dimensions (WxHxD)		459.0 x 59.0 x 178.0mm (18.07" x 2.32" x 7") Unit : mm (inch)
Weight		1.5Kg (3.3 lb)

Dimensions



SAMSUNG TECHWIN AMERICA Inc.
100 Challenger Road, Suite 700, Ridgefield Park, NJ 07660, UNITED STATES
Tol Free : 1-877-213-1222 Fax : 1-201-373-0124
www.samsungsecurityusa.com



The **Eco mark** represents Samsung Techwin's will to create environment-friendly products, and indicates that the product satisfies the EU RoHS Directive.

Design and specifications are subject to change without notice.

■ DISTRIBUTED BY

